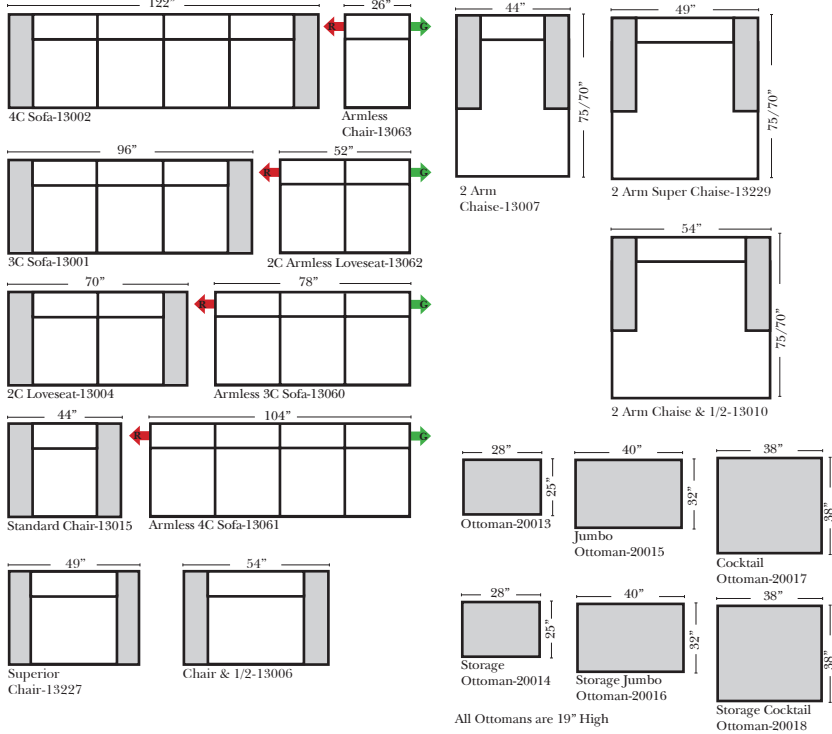
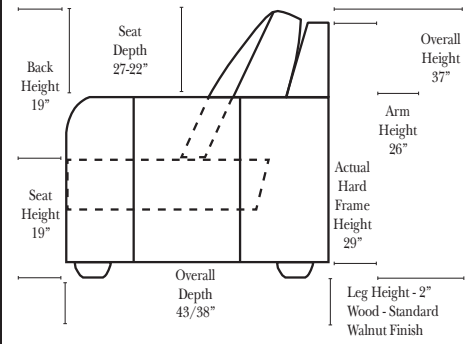
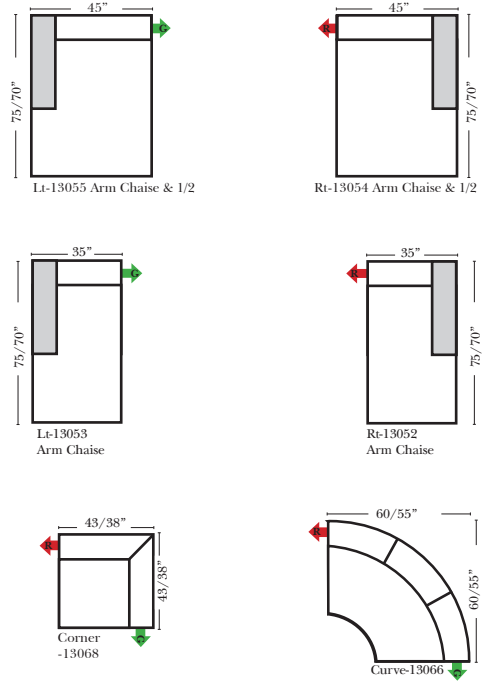


Standard / Ottomans / Armless

Put Green Arrows with Red Arrows to Create Sectional Groups



Additional Sectional Items



Standard & options

Standard:

- Available in Full & Top Grain Leathers
- Available in Luxury Fabrics
- All Hardwood Frames
- Wood Leg Finish (Standard is Walnut)
- Nail Heads (where shown)

Options: (No Additional Charge)

- No. 33 Firm Foam Cushions
- Wood Leg Finish (Available in Cherry, Chocolate, Espresso, Honey Oak, & Shadow)

Options: (additional Charge)

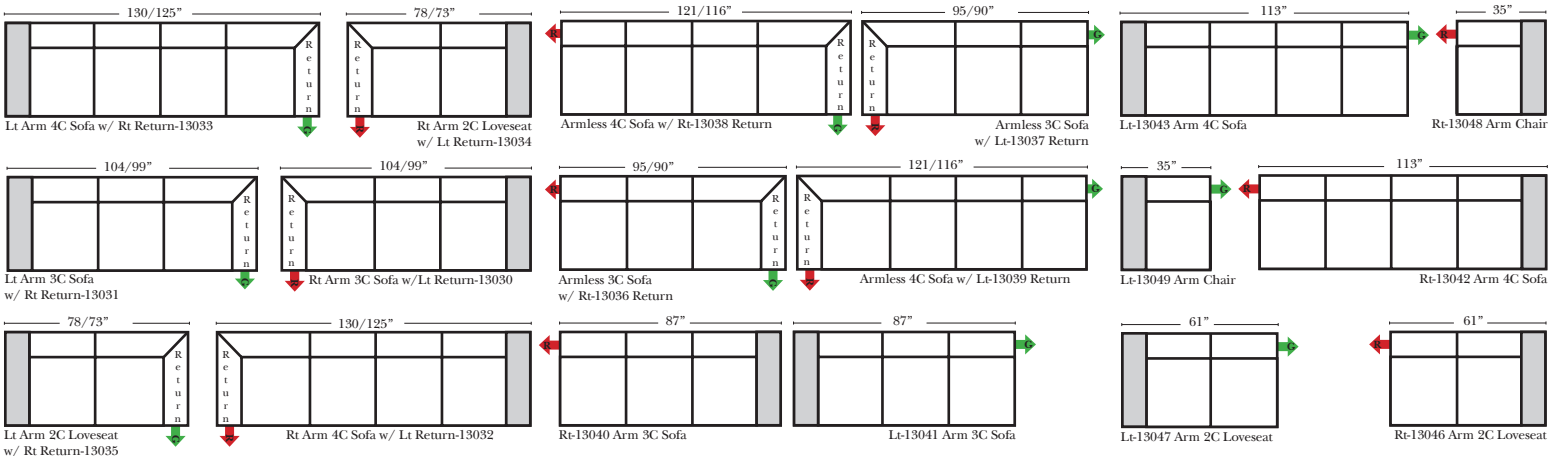
- Down Seats & Down Backs
- Upholstered Swivel Base (2 arm Chair Only) (Not available on Super Chair or Chair & 1/2)

Sleeper Options: (N/A on this Style)

L-Shape / 90 Degree Sectional

(All 4 seat items ship as one piece if stationary, two pieces if motion installed)

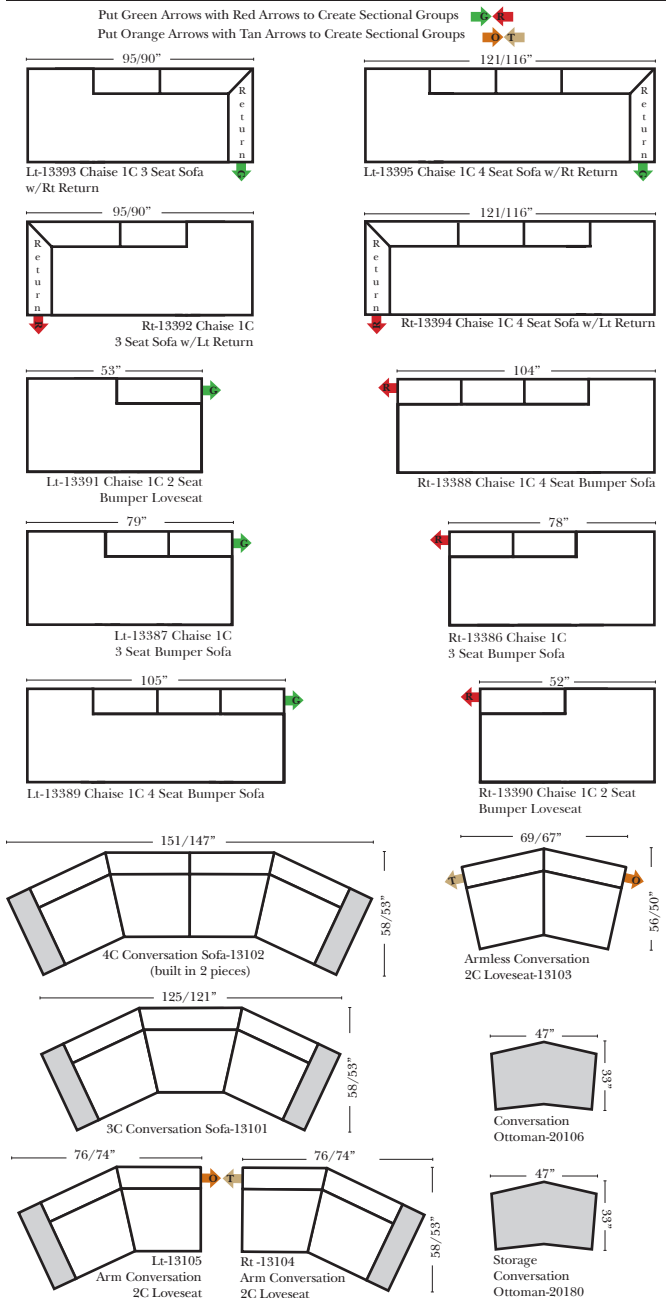
Put Green Arrows with Red Arrows to Create Sectional Groups



Note:

All Dimensions are approximate, if accuracy is crucial, please contact us for validation of the dimensions shown. However, a 1" to 2" variance can still apply due to foam and upholstery.

Bumper / Return Chaise & Conversation Sofas



Sleepers

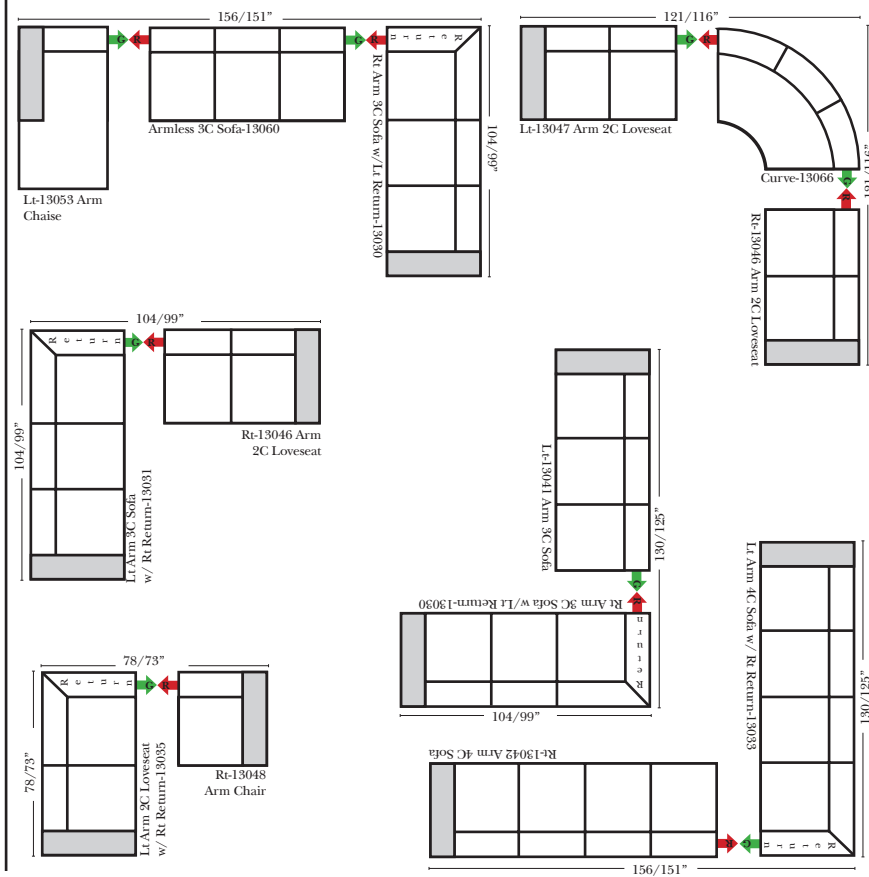
Put Green Arrows with Red Arrows to Create Sectional Groups
Put Blue Arrows with Yellow Arrows to Create Sectional Groups

Sleepers
not available for this style

Suggested Configurations

v.03.09.21

The Suggested Configurations below are only a sample of what the imagination can create, please enjoy creating the configuration that fits your lifestyle, using the ideas below and from the items on the opposite page.



Sleepers (Cont.)