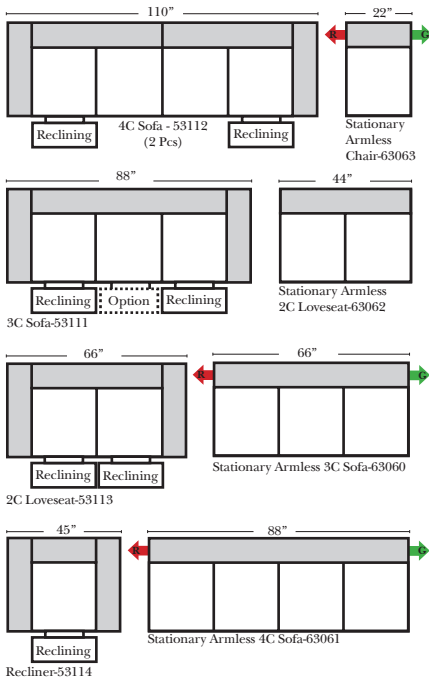


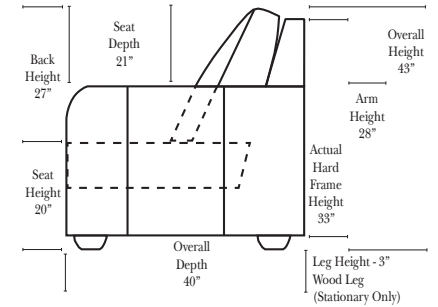
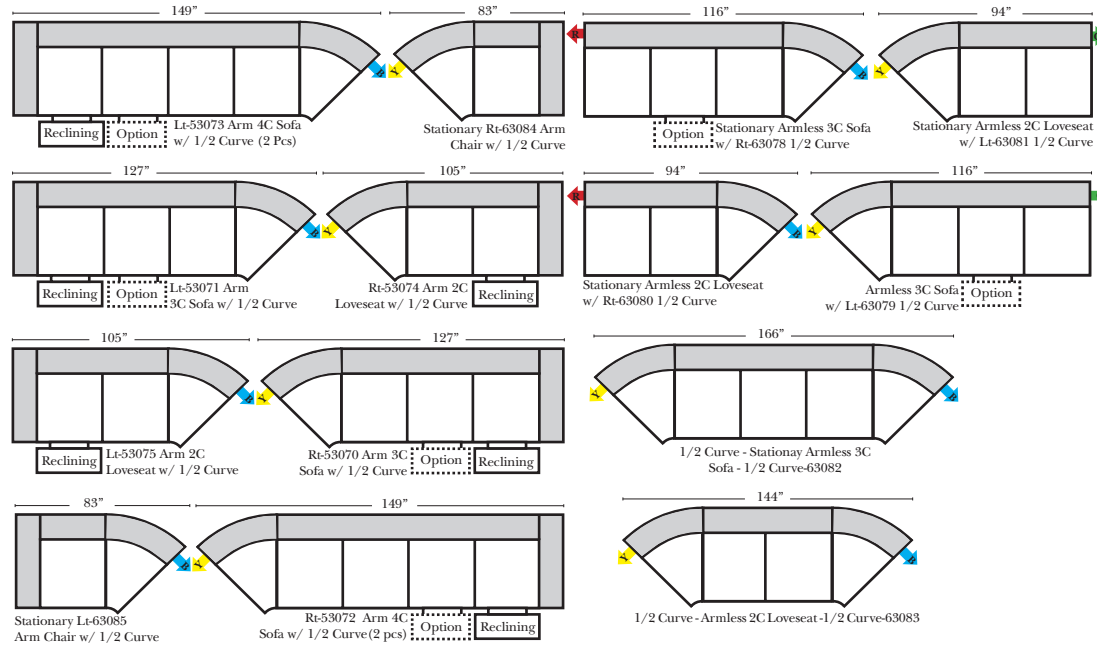
## Standard / Ottomans / Armless

Put Green Arrows with Red Arrows to Create Sectional Groups



## Curve Sectional

Put Blue Arrows with Yellow Arrows to Create Sectional Groups or Green Arrows with Red Arrows to mix with some of the L-Shaped pieces.



### Feature & Options

#### Standard:

- Available in Full & Top Grain Leathers
- Available in Luxury Fabrics
- All Hardwood Frames
- Wood Leg Finish - Walnut Finish (Stationary Only)

#### Options Available with No Additional Charge:

- No. 33 Firm Foam
- Wood Leg - Cherry, Chocolate, Espresso, Honey Oak, Shadow

#### Options that have Additional Charges:

- Console Table - Standard as Espresso finish (N/C Option is Honey Oak finish)
- Metal Cup Holder (MCH) - Standard Finish is Silver (N/C Option is Black or Hammered Antique Finish)
- Electronic Cup Holder (ECH) Console Arms Only (Available with Motorized Reclining Seats only)
- Sofa Center Recliner (Additional Charge)
- Motorized Recliner Mechanism (additional Charge)
- Swivel Recliner Base (additional Charge)
- Swivel Glider Mechanism (additional Charge)
- Lift Chair Dual Motor Mechanism (additional Charge)

#### Sleeper Options: (Additional charges apply)

- Full Sleeper available w/Standard Mattress
- Deluxe Innerspring Mattress: Full
- Air Dream Coil Mattress: Full Only

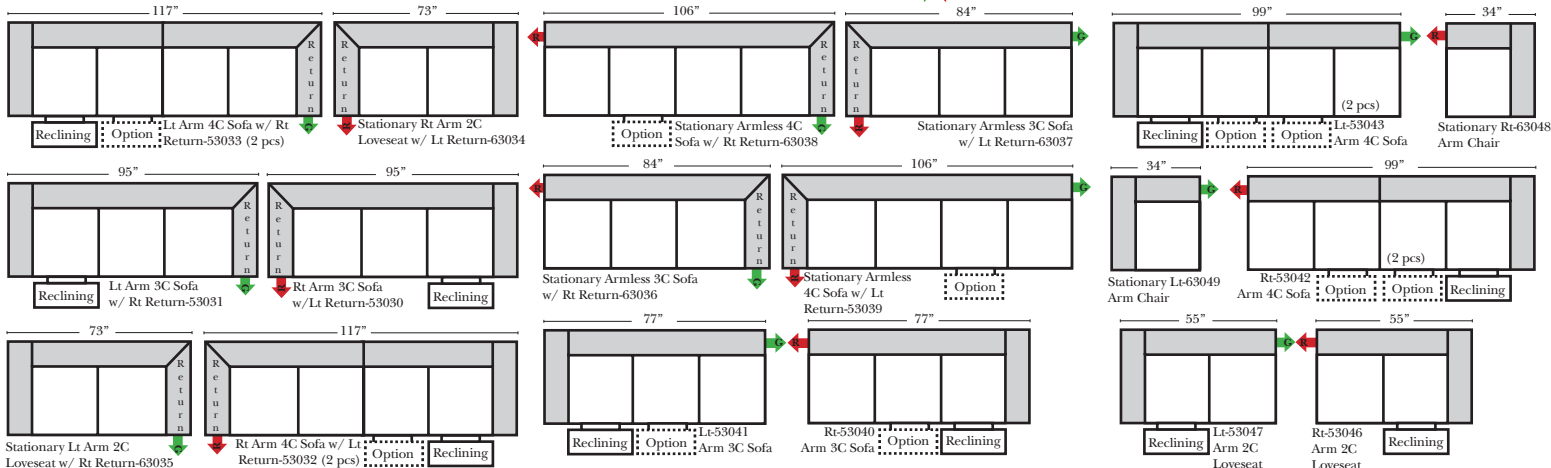


#### Note:

All Dimensions are approximate, if accuracy is crucial, please contact us for validation of the dimensions shown. However, a 1\"/>

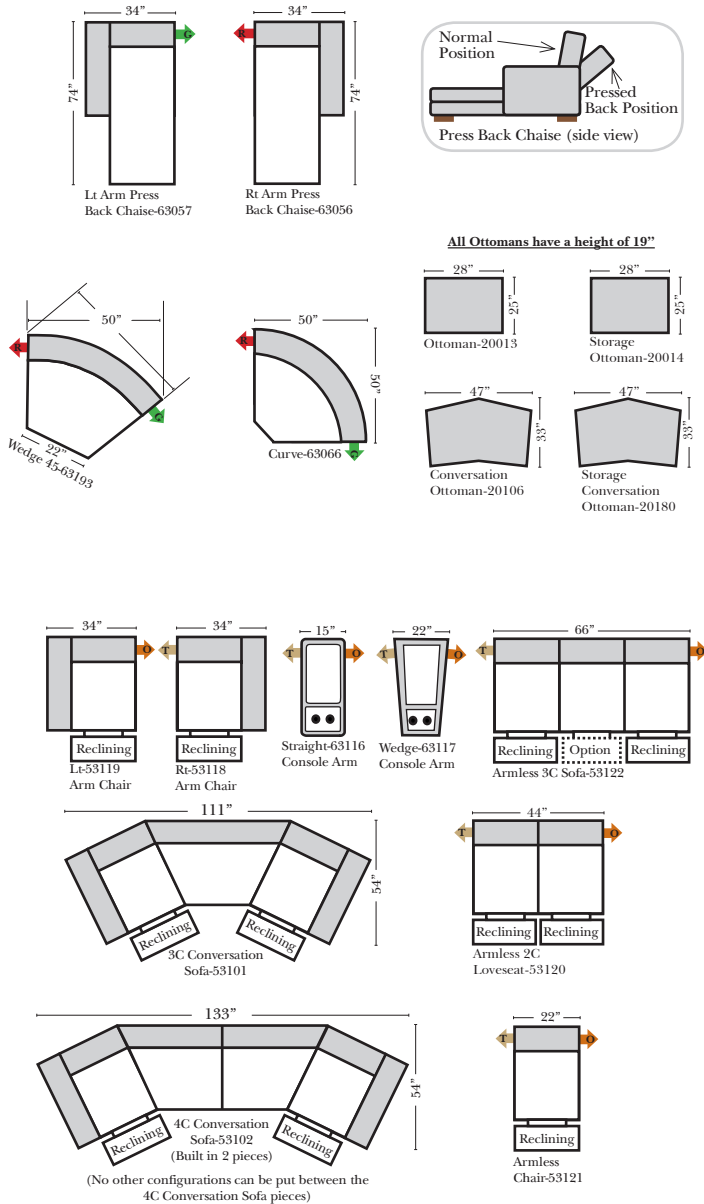
## 90 Degree / L-Shape Sectional

Put Green Arrows with Red Arrows to Create Sectional Groups



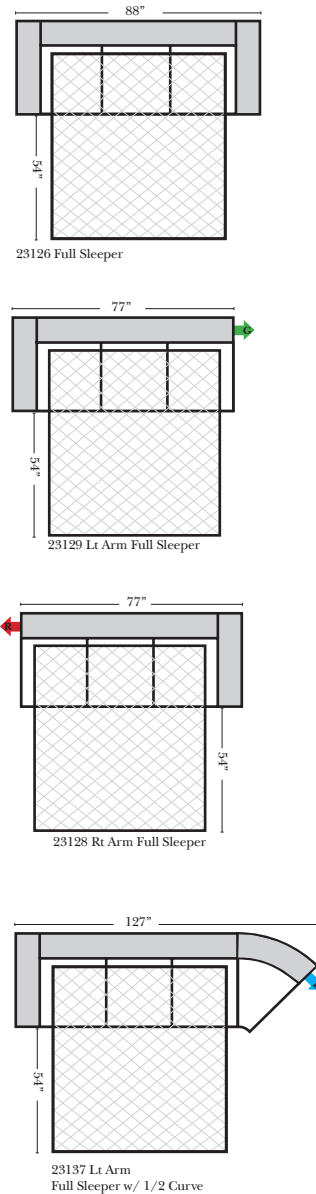
## Conversation Sectional / Chaise

Put Green Arrows with Red Arrows to Create Sectional Groups  
Put Orange Arrows with Tan Arrows to Create Sectional Groups



## Sleepers

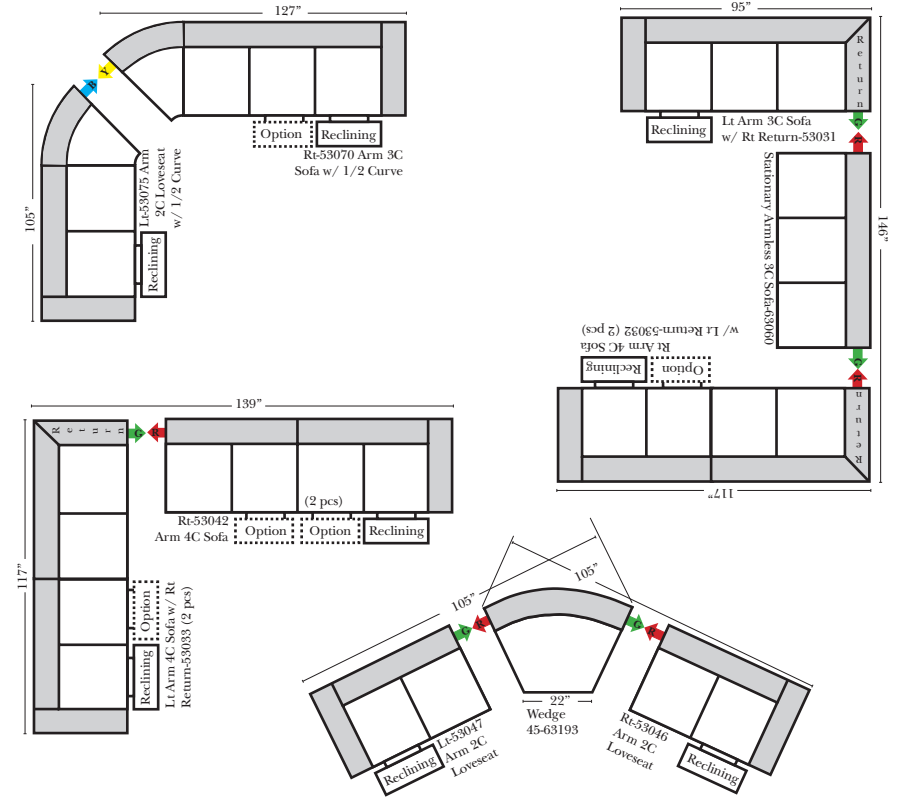
Put Blue Arrows with Yellow Arrows to Create Sectional Groups



## Suggested Configurations

v.11.23.15

The Suggested Configurations below are only a sample of what the imagination can create, please enjoy creating the configuration that fits your lifestyle, using the ideas below and from the items on the opposite page.



## Sleepers (cont.)

