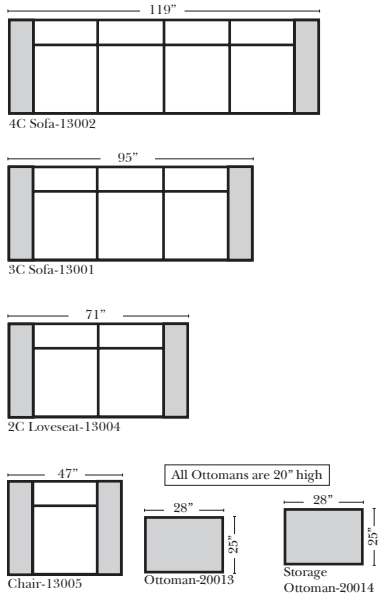
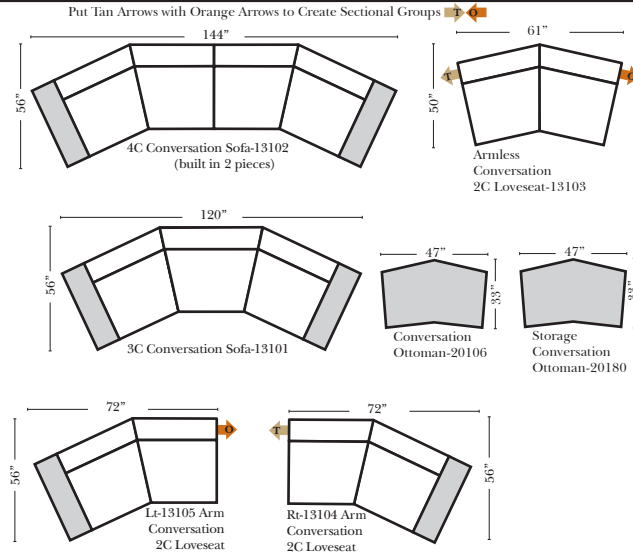


Standard & Ottomans

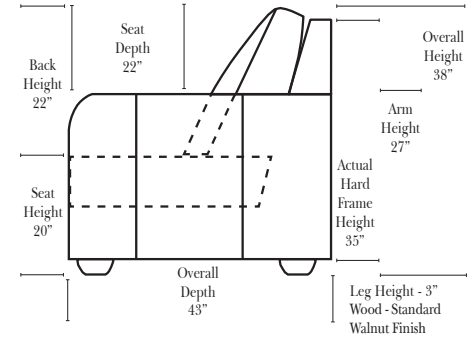
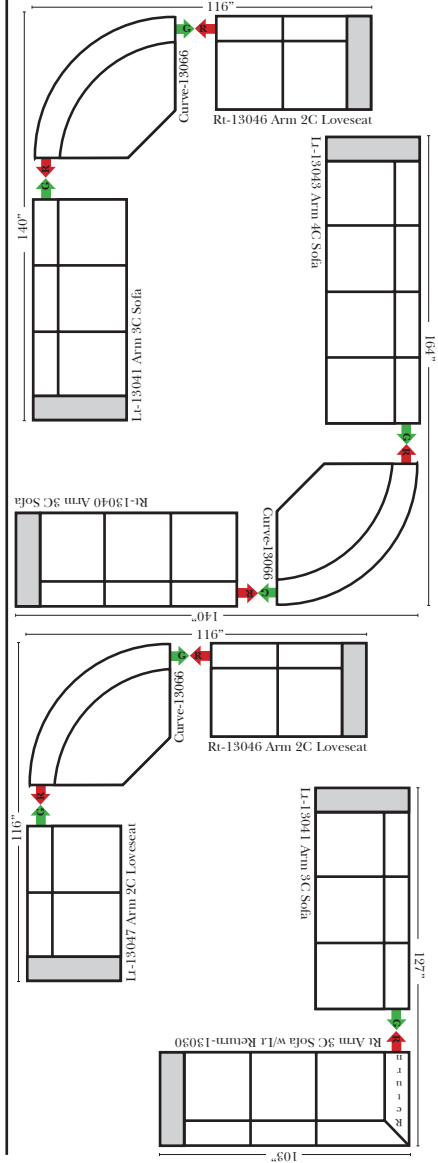


Conversation Sofas



Suggested Configurations

The Suggested Configurations below are only a sample of what the imagination can create, please enjoy creating the configuration that fits your lifestyle, using the ideas below and from the items on the opposite page.



Specifications & Options

Standard:

- Available in Full & Top Grain Leathers
- All Hardwood Frames
- Nail Heads
- Leg Color - Walnut

Options Available with No Additional Charge:

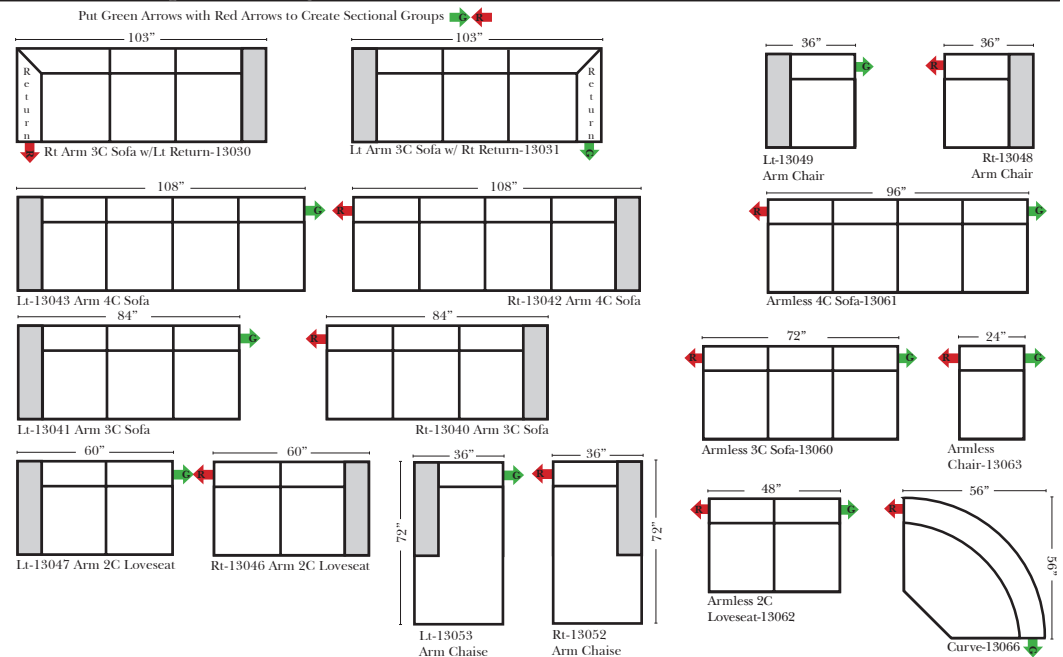
- Change Leg Color to: Cherry, Chocolate, Espresso, Honey Oak, & Shadow
- No. 33 Firm Foam

Options that have Additional Charges:

- Add Down Seats & Backs
- Add Upholstered Swivel Base (2 Arm Chair Only)

Sleeper Options : (Not Available on this style)

L-Shape / 90 Degree Sectional



Note:

All Dimensions are approximate, if accuracy is crucial, please contact us for validation of the dimensions shown. However, a 1" to 2" variance can still apply due to foam and upholstery.