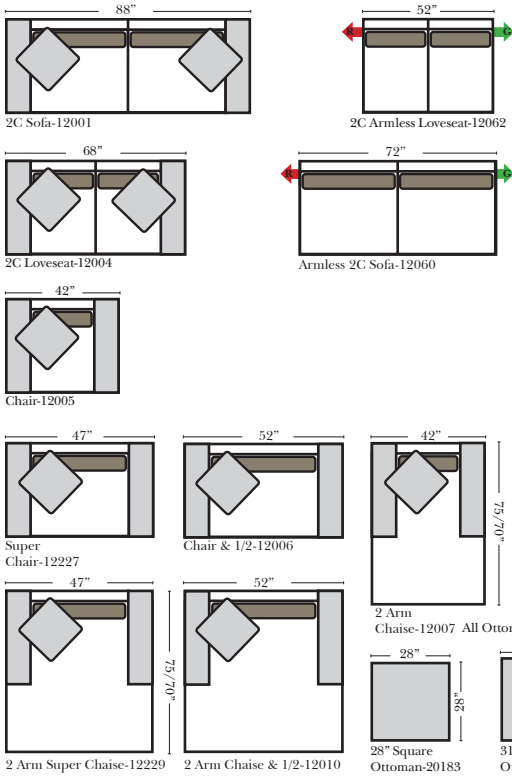


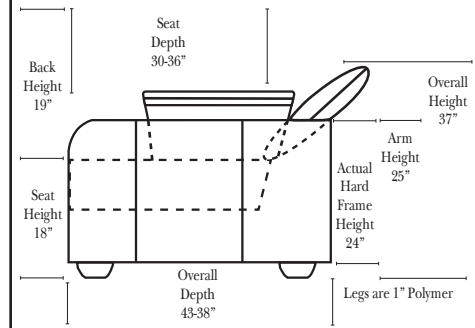
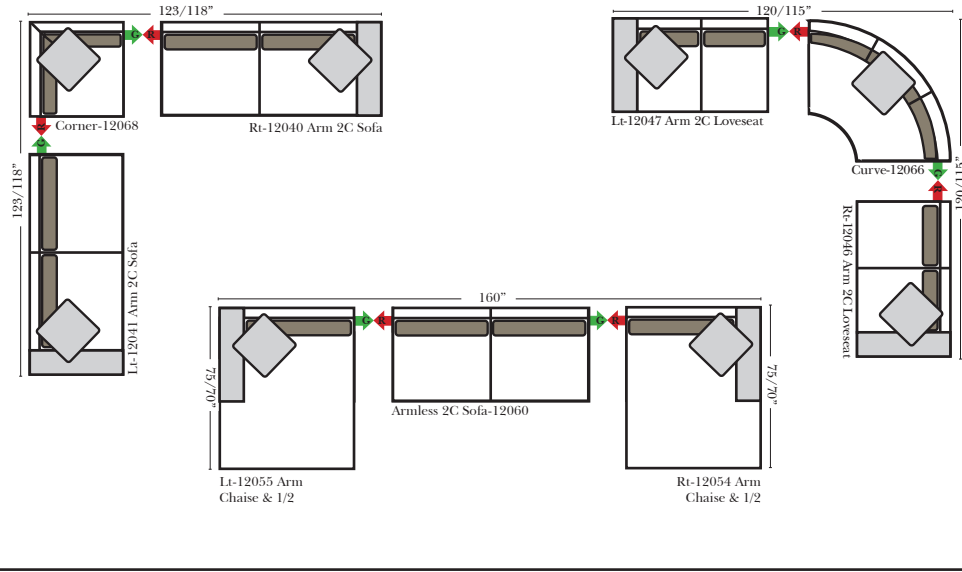
Standard / Ottomans / Armless

Put Green Arrows with Red Arrows to Create Sectional Groups



Suggested Configurations

The Suggested Configurations below are only a sample of what the imagination can create, please enjoy creating the configuration that fits your lifestyle, using the ideas below.



Standard & options

Standard:

- Available in Full & Top Grain Leathers
- Available in Luxury Fabrics
- All Hardwood Frames
- Round Polymer Leg
- Additional Toss Pillows (1 Pillow Per Arm)
- All Pillows Are Standard with Down
- All Seat Cushions Are Standard with Down

Options: (No Additional Charge)

- No. 33 Firm Foam Cushions
- Wood Leg Finish (Available in Cherry, Chocolate, Espresso, Honey Oak, & Shadow)

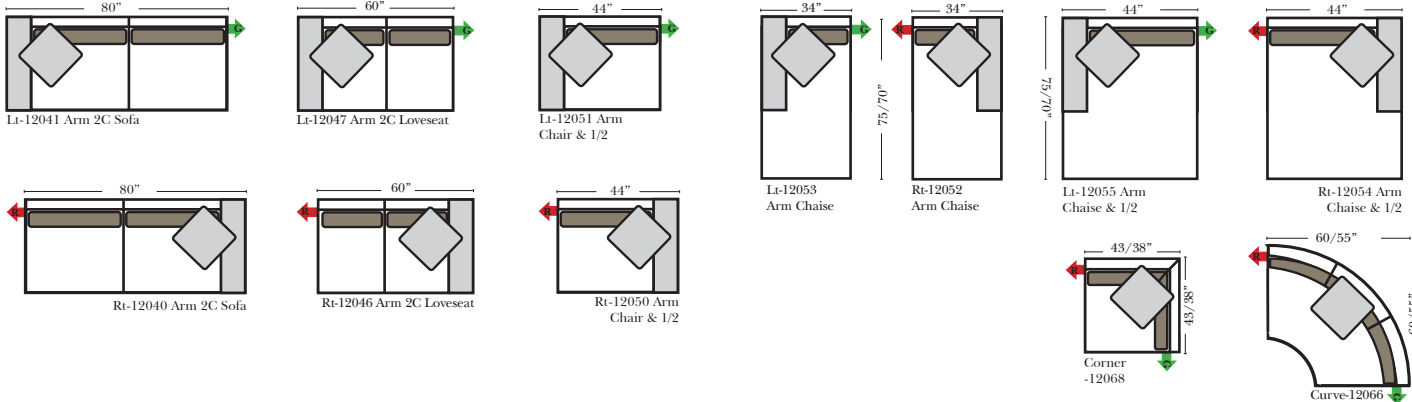
Options: (additional Charge)

- Additional Arm Pillows Available

Sleeper Options: (N/A on this Style)

L-Shape / 90 Degree Sectional

Put Green Arrows with Red Arrows to Create Sectional Groups



Note:

All Dimensions are approximate, if accuracy is crucial, please contact us for validation of the dimensions shown. However, a 1" to 2" variance can still apply due to foam and upholstery.